



## LED Lighted Bumper Kit Installation Instructions - Stampede® 4X4

Covers Part #6794

### Kit contents:

- Front bumper assembly
- Rear bumper assembly
- Power Y-harness
- Zip ties (2)

### Tools required:

- 2mm hex wrench
- 2.5mm hex wrench
- Body scissors (part #3431 or #3432, sold separately)
- Silicone grease

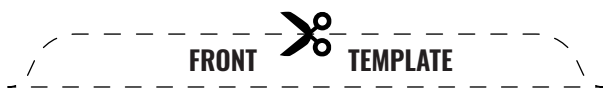
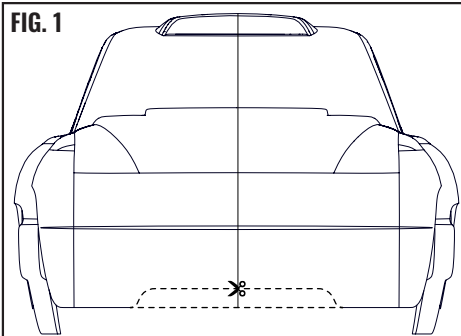


### CAUTION: RISK OF INJURY!

Use care with hobby knives, tapered reamers, and other cutting tools as they are extremely sharp and can cause severe injury, deep cuts, and/or punctures.

### A. BODY MODIFICATION

The vehicle body will need modification for installation of the LED lights on the front bumper. Center the template (provided below) on the front of the vehicle body. Use Lexan® body scissors to cut out the section as indicated in Fig. 1.



### B. POWER WIRE HARNESS INSTALLATION

- B1. Remove the wire clamp by removing the two 2.5x8mm CS (Fig. 2).
- B2. Remove the receiver box cover by removing the two 3x10mm CS (Fig. 2).
- B3. Route the power Y-harness into the receiver box and plug it into any open channel on the receiver.

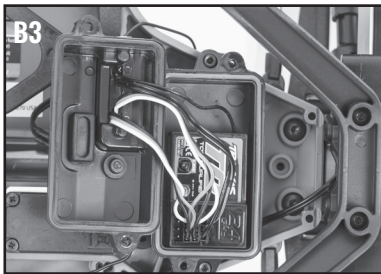
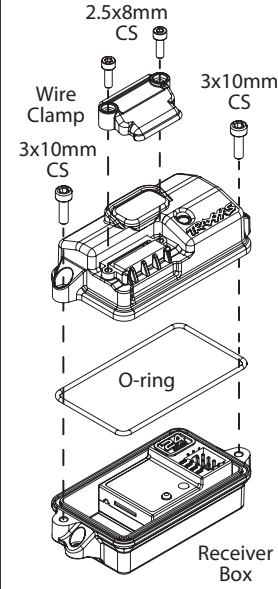
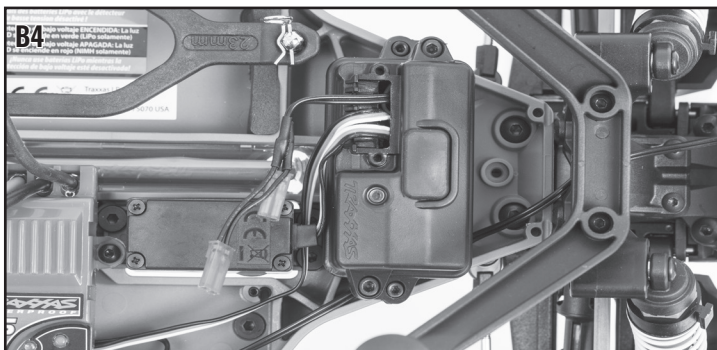


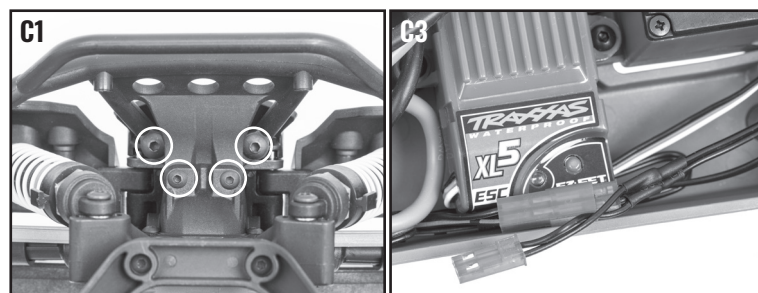
FIG. 2



- B4. Position the power Y-harness in a wire guide of the receiver box.
- B5. Apply a small bead of silicone grease (part #1647, sold separately) to the wire clamp foam. Install the wire clamp and tighten the two 2.5x8mm CS securely. **Note:** Make sure not to pinch the wires in the clamp.
- B6. Make sure the blue O-ring seal (Fig. 2) is properly seated in the groove in the receiver box so that the cover will not pinch it or damage it in any way.
- B7. Reinstall the cover on the receiver box and tighten the two 3x10mm CS securely. Inspect the cover to make sure that the O-ring seal is not visible.

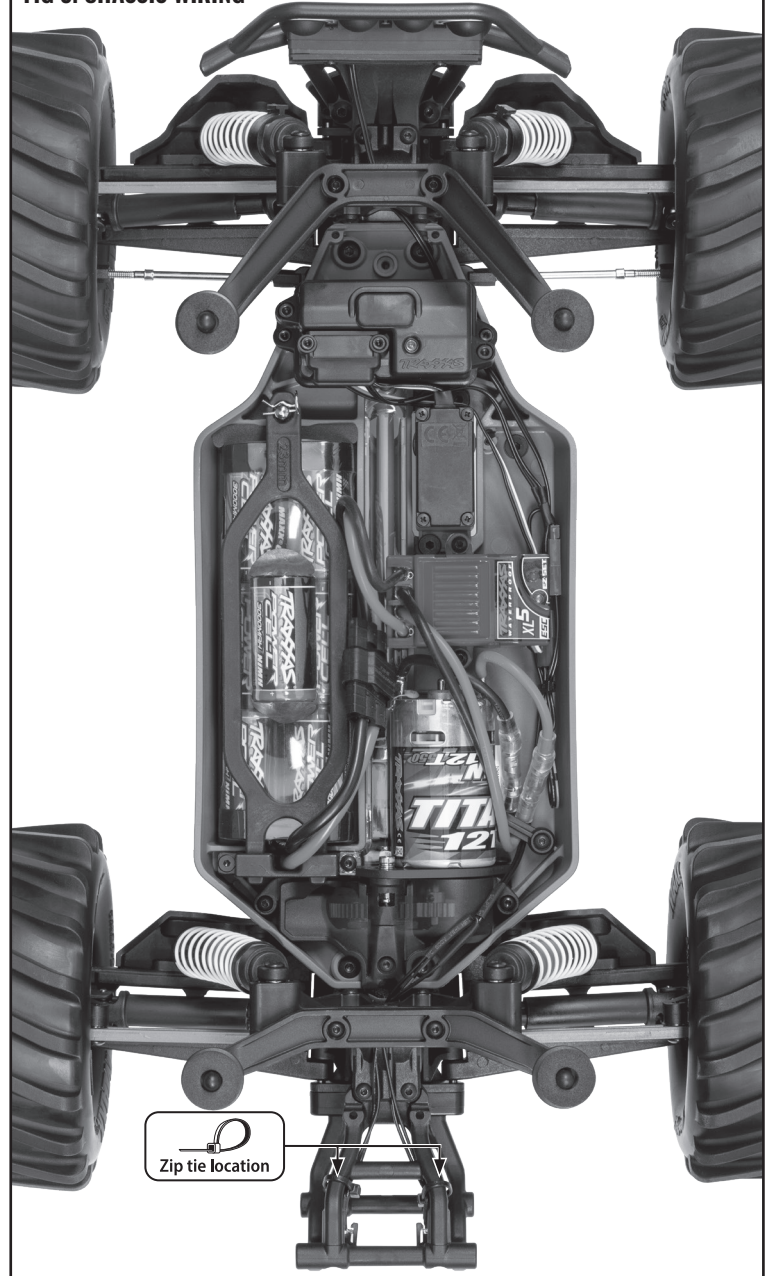


### C. FRONT BUMPER AND HEADLIGHTS INSTALLATION



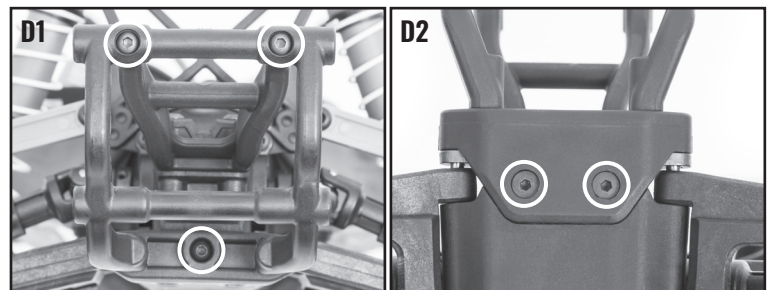
- C1. Remove the existing front bumper from the chassis by removing the 4x14mm BCS (2) and 3x15mm BCS (2).
- C2. Attach the new front bumper to the chassis with the removed screws in the same locations.

FIG. 3. CHASSIS WIRING



- C3. Route the wire harness from the front bumper along the chassis and under the receiver box (refer to Fig. 3 Chassis Wiring for more detail). Plug the red male connector from the power Y-harness into the red female connector from the headlights harness.

### D. REAR BUMPER AND TAIL LIGHTS INSTALLATION



- D1. To remove the existing rear bumper/bumper mount from the chassis, remove the 3x15mm BCS (2) and 3x20mm BCS (1).
- D2. Next, remove the 3x12mm CCS (2).
- D3. Remove the existing rear bumper from the bumper mount by removing the 3x15mm BCS (2).
- D4. Attach the new rear bumper to the bumper mount, and the bumper/bumper mount to the chassis, with the removed screws in the same locations.



- D5. Route the wire harness from the rear bumper along the chassis toward the receiver box (refer to Fig. 3 Chassis Wiring for more detail). Plug the red male connector from the power Y-harness into the red female connector from the tail lights harness.



- D6. Use the included zip ties (2) to secure the harness to the chassis (refer to Fig. 3 Chassis Wiring for more detail).